

# Hitaltech

The experts in connecting technologies

## CABLE GLANDS & ACCESSORIES CATALOGUE



[www.hitaltech.com](http://www.hitaltech.com)

S  
T  
G  
U  
D  
O  
R  
P

## PLASTIC CABLE GLANDS AND ACCESSORIES

Standard type	3
Standard type PA. V0 - UL 94	4
Standard type closed seal	5
Multihole - Flathole	6-7
Eurometric - Reduced	8
Spiral type	9
Flat type	10
Flat type closed seal	11
Blind stops	12
Hexagonal lock nuts	13
Hexagonal with collar lock nuts	14
Protection accessories	15



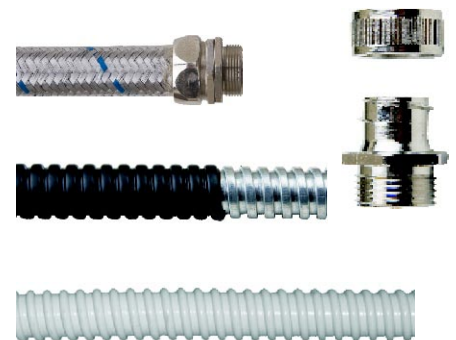
## METAL CABLE GLANDS AND ACCESSORIES

Standard type	16
Long type	17
Silicone seal	18
Multihole - Flathole	19-20
For armoured cable	21
Spiral type	22
Flat type	23
Flat type with traction relief	24
Blind stops	25
Hexagonal lock nuts	26
Reducers	27
Enlargers	28
Adapters	29



## FLEXIBLE CABLES AND GLANDS

Metal - PVC coated conduits	30
Heavyweight - TPV coated conduits	31
Steel wire over braiding - PVC coated	32
Swivel body	33
Fixed body	34
Liquid tight fixed - Swivel	35
PVC spiral conduits	36
Glands for PVC spiral conduits	37

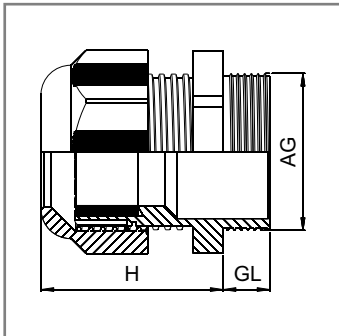


### CABLE GLANDS Standard Type

plastic series

Material Polyamide  
 Colour RAL 7001 (Gray)  
 RAL 7035 (L. Gray)  
 RAL 9005 (Black)  
 Protection class IP 68 5 bar  
 Permanent operational temp. - 30 C° to + 100 C°  
 Short term max. operational temp. +150 C°  
 Seal Thermoplastic vulcanizate TPV

IP 68  
 Halogen free



■ RAL 7001



■ RAL 7035



■ RAL 9005



### METRIC CABLE GLANDS

EN 50262

AG Thread	Gray Code ■ RAL 7001	L. Gray Code ■ RAL 7035	Black Code ■ RAL 9005	H mm	GL mm	mm	∅K mm
M 12 x 1,5	OMRG 01	OMRL 01	OMRB 01	24	8	15	3 - 6,5
M 16 x 1,5	OMRG 02	OMRL 02	OMRB 02	28	8	19	4 - 8
M 16 x 1,5	OMRG 03	OMRL 03	OMRB 03	29	10	22	5 - 10
M 20 x 1,5	OMRG 04	OMRL 04	OMRB 04	29	10	24	6 - 12
M 20 x 1,5	OMRG 05	OMRL 05	OMRB 05	33	10	27	10 - 14
M 25 x 1,5	OMRG 06	OMRL 06	OMRB 06	38	10	33	13 - 18
M 32 x 1,5	OMRG 07	OMRL 07	OMRB 07	41	10	42	18 - 25
M 40 x 1,5	OMRG 08	OMRL 08	OMRB 08	51	10	53	22 - 32
M 50 x 1,5	OMRG 09	OMRL 09	OMRB 09	53	18	60	30 - 38
M 63 x 1,5	OMRG 10	OMRL 10	OMRB 10	55	18	65	34 - 44

### Long Metric Cable Glands

M 16 x 1,5	OMRG 11	OMRL 11	OMRB 11	29	15	22	5 - 10
M 20 x 1,5	OMRG 12	OMRL 12	OMRB 12	29	15	24	6 - 12
M 20 x 1,5	OMRG 13	OMRL 13	OMRB 13	33	15	27	10 - 14
M 25 x 1,5	OMRG 14	OMRL 14	OMRB 14	38	15	33	13 - 18
M 32 x 1,5	OMRG 15	OMRL 15	OMRB 15	41	18	42	18 - 25
M 40 x 1,5	OMRG 16	OMRL 16	OMRB 16	51	18	53	22 - 32

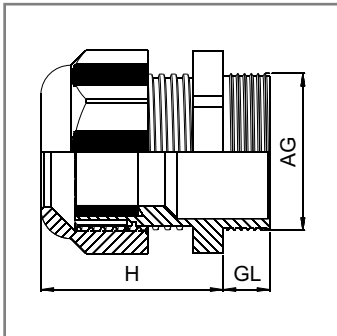
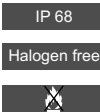
### PC CABLE GLANDS

AG Thread	Gray Code ■ RAL 7001	L. Gray Code ■ RAL 7035	Black Code ■ RAL 9005	H mm	GL mm	mm	∅K mm
PG 7	ORG 01	ORL 01	ORB 01	24	8	15	3 - 6,5
PG 9	ORG 02	ORL 02	ORB 02	28	8	19	4 - 8
PG 11	ORG 03	ORL 03	ORB 03	29	8	22	5 - 10
PG 13,5	ORG 04	ORL 04	ORB 04	29	9	24	6 - 12
PG 16	ORG 05	ORL 05	ORB 05	33	9	27	10 - 14
PG 21	ORG 06	ORL 06	ORB 06	38	11	33	13 - 18
PG 29	ORG 07	ORL 07	ORB 07	41	11	42	18 - 25
PG 36	ORG 08	ORL 08	ORB 08	51	13	53	22 - 32
PG 42	ORG 09	ORL 09	ORB 09	53	13	60	30 - 38
PG 48	ORG 10	ORL 10	ORB 10	55	14	65	34 - 44

### CABLE GLANDS Standard Type PA V0 - UL94

plastic series

Material	Polyamide - V0 according to UL 94
Colour	RAL 7001 (Gray) RAL 7035 (L. Gray) RAL 9005 (Black)
Protection class	IP 68 5 bar
Permanent operational temp.	- 40 C° to + 100 C°
Short term max. operational temp.	+150 C°
Seal	Thermoplastic vulcanizate TPV



■ RAL 7001



■ RAL 7035



■ RAL 9005



### V0 METRIC CABLE GLANDS

EN 50262

AG Thread	Gray Code ■ RAL 7001	L. Gray Code ■ RAL 7035	Black Code ■ RAL 9005	H mm	GL mm	mm	$\varnothing$ mm
M 12 x 1,5	OMRGV 01	OMRLV 01	OMRBV 01	24	8	15	3 - 6,5
M 16 x 1,5	OMRGV 02	OMRLV 02	OMRBV 02	28	8	19	4 - 8
M 16 x 1,5	OMRGV 03	OMRLV 03	OMRBV 03	29	10	22	5 - 10
M 20 x 1,5	OMRGV 04	OMRLV 04	OMRBV 04	29	10	24	6 - 12
M 20 x 1,5	OMRGV 05	OMRLV 05	OMRBV 05	33	10	27	10 - 14
M 25 x 1,5	OMRGV 06	OMRLV 06	OMRBV 06	38	10	33	13 - 18
M 32 x 1,5	OMRGV 07	OMRLV 07	OMRBV 07	41	10	42	18 - 25
M 40 x 1,5	OMRGV 08	OMRLV 08	OMRBV 08	51	10	53	22 - 32
M 50 x 1,5	OMRGV 09	OMRLV 09	OMRBV 09	53	18	60	30 - 38
M 63 x 1,5	OMRGV 10	OMRLV 10	OMRBV 10	55	18	65	34 - 44

### V0 Long Cable Glands

M 16 x 1,5	OMRGV 11	OMRLV 11	OMRBV 11	29	15	22	5 - 10
M 20 x 1,5	OMRGV 12	OMRLV 12	OMRBV 12	29	15	24	6 - 12
M 20 x 1,5	OMRGV 13	OMRLV 13	OMRBV 13	33	15	27	10 - 14
M 25 x 1,5	OMRGV 14	OMRLV 14	OMRBV 14	38	15	33	13 - 18
M 32 x 1,5	OMRGV 15	OMRLV 15	OMRBV 15	41	18	42	18 - 25
M 40 x 1,5	OMRGV 16	OMRLV 16	OMRBV 16	51	18	53	22 - 32

### V0 PC CABLE GLANDS

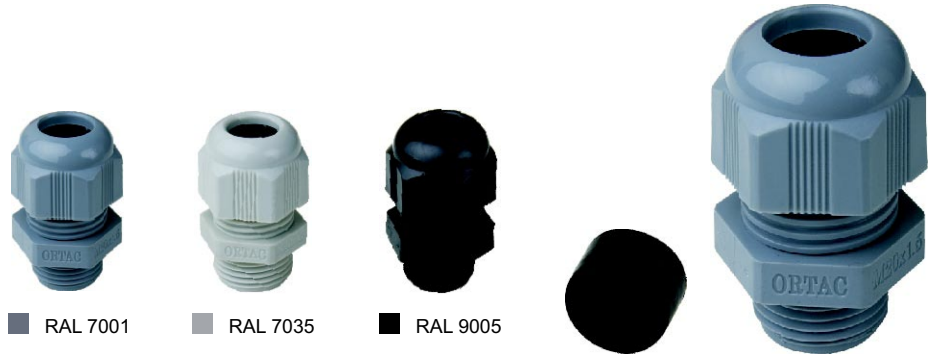
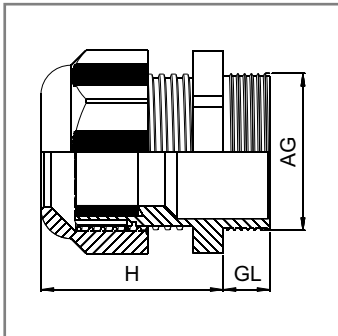
AG Thread	Gray Code ■ RAL 7001	L. Gray Code ■ RAL 7035	Black Code ■ RAL 9005	H mm	GL mm	mm	$\varnothing$ mm
PG 7	ORGV 01	ORLV 01	ORBV 01	24	8	15	3 - 6,5
PG 9	ORGV 02	ORLV 02	ORBV 02	28	8	19	4 - 8
PG 11	ORGV 03	ORLV 03	ORBV 03	29	8	22	5 - 10
PG 13,5	ORGV 04	ORLV 04	ORBV 04	29	9	24	6 - 12
PG 16	ORGV 05	ORLV 05	ORBV 05	33	9	27	10 - 14
PG 21	ORGV 06	ORLV 06	ORBV 06	38	11	33	13 - 18
PG 29	ORGV 07	ORLV 07	ORBV 07	41	11	42	18 - 25
PG 36	ORGV 08	ORLV 08	ORBV 08	51	13	53	22 - 32
PG 42	ORGV 09	ORLV 09	ORBV 09	53	13	60	30 - 38
PG 48	ORGV 10	ORLV 10	ORBV 10	55	14	65	34 - 44

### CABLE GLANDS Standard Type Closed Seal

plastic series

Material Polyamide  
 Colour RAL 7001 (Gray)  
 RAL 7035 (L. Gray)  
 RAL 9005 (Black)  
 Protection class IP 68 5 bar  
 Permanent operational temp. - 30 C° to + 100 C°  
 Short term max. operational temp. +150 C°  
 Seal Thermoplastic vulcanizate TPV

IP 68  
Halogen free



### METRIC CABLE GLANDS

EN 50262

AG Thread	Gray Code RAL 7001	L. Gray Code RAL 7035	Black Code RAL 9005	H mm	GL mm	mm	∅K mm
M 12 x 1,5	KMRG 01	KMRL 01	KMRB 01	24	8	15	3 - 6,5
M 16 x 1,5	KMRG 02	KMRL 02	KMRB 02	28	8	19	4 - 8
M 16 x 1,5	KMRG 03	KMRL 03	KMRB 03	29	10	22	5 - 10
M 20 x 1,5	KMRG 04	KMRL 04	KMRB 04	29	10	24	6 - 12
M 20 x 1,5	KMRG 05	KMRL 05	KMRB 05	33	10	27	10 - 14
M 25 x 1,5	KMRG 06	KMRL 06	KMRB 06	38	10	33	13 - 18
M 32 x 1,5	KMRG 07	KMRL 07	KMRB 07	41	10	42	18 - 25
M 40 x 1,5	KMRG 08	KMRL 08	KMRB 08	51	10	53	22 - 32
M 50 x 1,5	KMRG 09	KMRL 09	KMRB 09	53	18	60	30 - 38
M 63 x 1,5	KMRG 10	KMRL 10	KMRB 10	55	18	65	34 - 44

### Long Metric Cable Glands

M 16 x 1,5	KMRG 11	KMRL 11	KMRB 11	29	15	22	5 - 10
M 20 x 1,5	KMRG 12	KMRL 12	KMRB 12	29	15	24	6 - 12
M 20 x 1,5	KMRG 13	KMRL 13	KMRB 13	33	15	27	10 - 14
M 25 x 1,5	KMRG 14	KMRL 14	KMRB 14	38	15	33	13 - 18
M 32 x 1,5	KMRG 15	KMRL 15	KMRB 15	41	18	42	18 - 25
M 40 x 1,5	KMRG 16	KMRL 16	KMRB 16	51	18	53	22 - 32

### PC CABLE GLANDS

AG Thread	Gray Code RAL 7001	L. Gray Code RAL 7035	Black Code RAL 9005	H mm	GL mm	mm	∅K mm
PG 7	KRG 01	KRL 01	KRB 01	24	8	15	3 - 6,5
PG 9	KRG 02	KRL 02	KRB 02	28	8	19	4 - 8
PG 11	KRG 03	KRL 03	KRB 03	29	8	22	5 - 10
PG 13,5	KRG 04	KRL 04	KRB 04	29	9	24	6 - 12
PG 16	KRG 05	KRL 05	KRB 05	33	9	27	10 - 14
PG 21	KRG 06	KRL 06	KRB 06	38	11	33	13 - 18
PG 29	KRG 07	KRL 07	KRB 07	41	11	42	18 - 25
PG 36	KRG 08	KRL 08	KRB 08	51	13	53	22 - 32
PG 42	KRG 09	KRL 09	KRB 09	53	13	60	30 - 38
PG 48	KRG 10	KRL 10	KRB 10	55	14	65	34 - 44

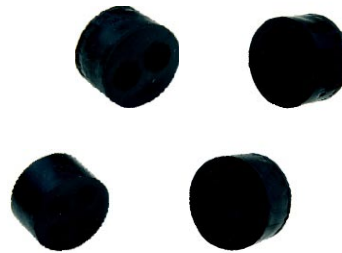
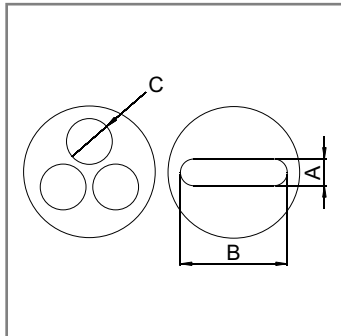
### CABLE GLANDS Multi Hole - Flat Hole

plastic series

IP 65

Halogen free

Material	Polyamide
Colour	RAL 7001 (Gray) RAL 7035 (L. Gray) RAL 9005 (Black)
Protection class	IP 65
Permanent operational temp.	- 30 C° to + 100 C°
Short term max. operational temp.	+150 C°
Seal	Thermoplastic vulcanizate TPV



### METRIC CABLE GLANDS

EN 50262

AG Thread	Gray Code ■ RAL 7001	L. Gray Code ■ RAL 7035	Black Code ■ RAL 9005	Number Of Holes	C mm
M 16 x 1,5	OMRG 02B3	OMRL 02B3	OMRB 02B3	3	3
M 16 x 1,5	OMRG 02C3	OMRL 02C3	OMRB 02C3	4	3
M 16 x 1,5	OMRG 03A4	OMRL 03A4	OMRB 03A4	2	4
M 16 x 1,5	OMRG 03A5	OMRL 03A5	OMRB 03A5	2	5
M 16 x 1,5	OMRG 03B4	OMRL 03B4	OMRB 03B4	3	4
M 16 x 1,5	OMRG 03B5	OMRL 03B5	OMRB 03B5	3	5
M 20 x 1,5	OMRG 04A5	OMRL 04A5	OMRB 04A5	2	5
M 20 x 1,5	OMRG 04A6	OMRL 04A6	OMRB 04A6	2	6
M 20 x 1,5	OMRG 04B4	OMRL 04B4	OMRB 04B4	3	4
M 20 x 1,5	OMRG 04B5	OMRL 04B5	OMRB 04B5	3	5
M 20 x 1,5	OMRG 05A4	OMRL 05A4	OMRB 05A4	2	4
M 20 x 1,5	OMRG 05A7	OMRL 05A7	OMRB 05A7	2	7
M 20 x 1,5	OMRG 05B4	OMRL 05B4	OMRB 05B4	3	4
M 20 x 1,5	OMRG 05B6	OMRL 05B6	OMRB 05B6	3	6
M 20 x 1,5	OMRG 05C5	OMRL 05C5	OMRB 05C5	4	5
M 25 x 1,5	OMRG 06A8	OMRL 06A8	OMRB 06A8	2	8
M 25 x 1,5	OMRG 06A9	OMRL 06A9	OMRB 06A9	2	9
M 25 x 1,5	OMRG 06B7	OMRL 06B7	OMRB 06B7	3	7
M 25 x 1,5	OMRG 06B8	OMRL 06B8	OMRB 06B8	3	8
M 25 x 1,5	OMRG 06C7	OMRL 06C7	OMRB 06C7	4	7
M 25 x 1,5	OMRG 06G3	OMRL 06G3	OMRB 06G3	8	3
M 25 x 1,5	OMRG 06G4	OMRL 06G4	OMRB 06G4	8	4

### FLAT HOLE METRIC CABLE GLANDS

EN 50262

AG Thread	Gray Code ■ RAL 7001	L. Gray Code ■ RAL 7035	Black Code ■ RAL 9005	A mm	B mm
M 20 x 1,5	YMRG 05	YMRL 05	YMRB 05	5	12
M 25 x 1,5	YMRG 06	YMRL 06	YMRB 06	6	16,3
M 32 x 1,5	YMRG 07	YMRL 07	YMRB 07	9	20
M 40 x 1,5	YMRG 08	YMRL 08	YMRB 08	10	27
M 50 x 1,5	YMRG 09	YMRL 09	YMRB 09	13	34
M 63 x 1,5	YMRG 10	YMRL 10	YMRB 10	15	45

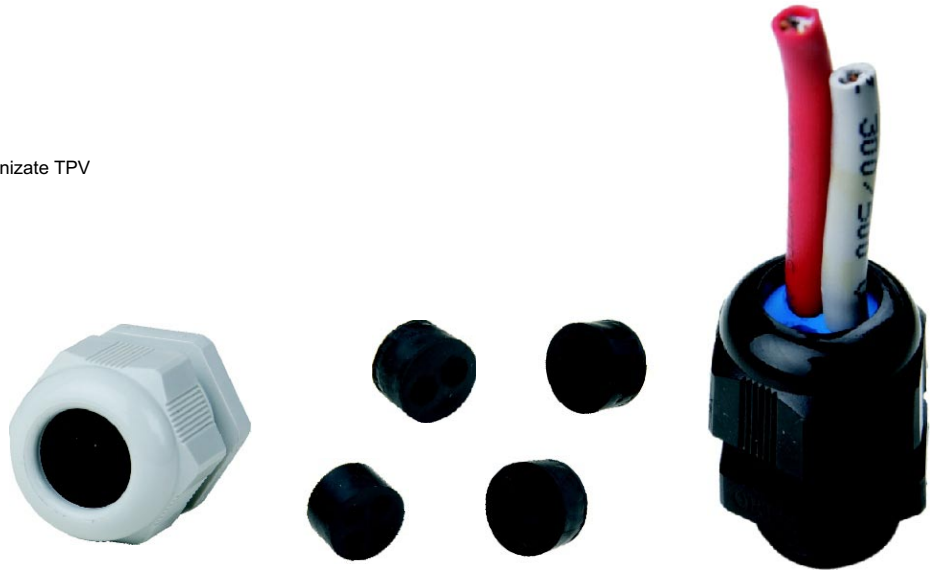
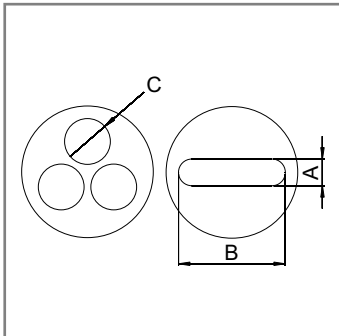
### CABLE GLANDS Multi Hole - Flat Hole

plastic series

IP 65

Halogen free

Material Polyamide  
 Colour RAL 7001 (Gray)  
 RAL 7035 (L. Gray)  
 RAL 9005 (Black)  
 Protection class IP 65  
 Permanent operational temp. - 30 C° to + 100 C°  
 Short term max. operational temp. +150 C°  
 Seal Thermoplastic vulcanizate TPV



### PC CABLE GLANDS

AG Thread	Gray Code RAL 7001	L. Gray Code RAL 7035	Black Code RAL 9005	Number Of Holes	C mm
PG 9	ORG 02A3	ORL 02A3	ORB 02A3	2	3
PG 9	ORG 02B3	ORL 02B3	ORB 02B3	3	3
PG 9	ORG 02C3	ORL 02C3	ORB 02C3	4	3
PG 11	ORG 03A4	ORL 03A4	ORB 03A4	2	4
PG 11	ORG 03A5	ORL 03A5	ORB 03A5	2	5
PG 11	ORG 03B4	ORL 03B4	ORB 03B4	3	4
PG 11	ORG 03B5	ORL 03B5	ORB 03B5	3	5
PG 13,5	ORG 04A5	ORL 04A5	ORB 04A5	2	5
PG 13,5	ORG 04A6	ORL 04A6	ORB 04A6	2	6
PG 13,5	ORG 04B4	ORL 04B4	ORB 04B4	3	4
PG 13,5	ORG 04B5	ORL 04B5	ORB 04B5	3	5
PG 16	ORG 05A4	ORL 05A4	ORB 05A4	2	4
PG 16	ORG 05A7	ORL 05A7	ORB 05A7	2	7
PG 16	ORG 05B4	ORL 05B4	ORB 05B4	3	4
PG 16	ORG 05B6	ORL 05B6	ORB 05B6	3	6
PG 16	ORG 05C5	ORL 05C5	ORB 05C5	4	5
PG 21	ORG 06A8	ORL 06A8	ORB 06A8	2	8
PG 21	ORG 06A9	ORL 06A9	ORB 06A9	2	9
PG 21	ORG 06B7	ORL 06B7	ORB 06B7	3	7
PG 21	ORG 06B8	ORL 06B8	ORB 06B8	3	8
PG 21	ORG 06C7	ORL 06C7	ORB 06C7	4	7
PG 21	ORG 06G3	ORL 06G3	ORB 06G3	8	3
PG 21	ORG 06G4	ORL 06G4	ORB 06G4	8	4

### FLAT HOLE PG CABLE GLANDS

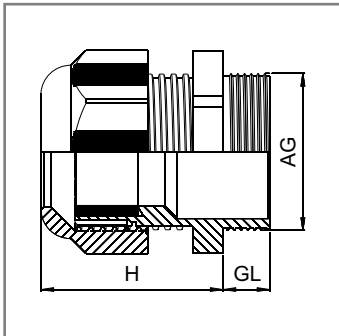
AG Thread	Gray Code RAL 7001	L. Gray Code RAL 7035	Black Code RAL 9005	A mm	B mm
PG 16	YRG 05	YRL 05	YRB 05	5	12
PG 21	YRG 06	YRL 06	YRB 06	6	16,3
PG 29	YRG 07	YRL 07	YRB 07	9	20
PG 36	YRG 08	YRL 08	YRB 08	10	27
PG 42	YRG 09	YRL 09	YRB 09	13	34
PG 48	YRG 10	YRL 10	YRB 10	15	45

### CABLE GLANDS Euro-metric Reduced

plastic series

Material: Polyamide  
 Colour: RAL 7001 (Gray), RAL 7035 (L. Gray), RAL 9005 (Black)  
 Protection class: IP 68 5 bar  
 Permanent operational temp.: -30 C° to +100 C°  
 Short term max. operational temp.: +150 C°  
 Seal: Thermoplastic vulcanizate TPV

IP 68  
Halogen free



■ RAL 7001



■ RAL 7035



■ RAL 9005



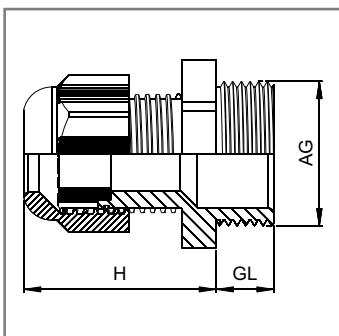
### METRIC CABLE GLANDS

EN 50262

AG Thread	Gray Code ■ RAL 7001	L. Gray Code ■ RAL 7035	Black Code ■ RAL 9005	H mm	GL mm	mm	$\varnothing$ mm
M 25 x 1,5	OMRG E6	OMRL E6	OMRB E6	35	10	29	11 - 17
M 32 x 1,5	OMRG E7	OMRL E7	OMRB E7	40	10	36	15 - 21
M 40 x 1,5	OMRG E8	OMRL E8	OMRB E8	43	10	46	19 - 28

### LONG METRIC CABLE GLANDS

M 25 x 1,5	OMRG E14	OMRL E14	OMRB E14	35	15	29	11 - 17
M 32 x 1,5	OMRG E15	OMRL E15	OMRB E15	40	15	36	15 - 21
M 40 x 1,5	OMRG E16	OMRL E16	OMRB E16	43	15	46	19 - 28



■ RAL 7001



■ RAL 7035



■ RAL 9005



### REDUCED METRIC CABLE GLANDS

EN 50262

AG Thread	Gray Code ■ RAL 7001	L. Gray Code ■ RAL 7035	Black Code ■ RAL 9005	H mm	GL mm	mm	$\varnothing$ mm
M 25 x 1,5	OMRG ES4	OMRL ES4	OMRB ES4	32	10	29	4 - 10
M 25 x 1,5	OMRG ES6	OMRL ES6	OMRB ES6	32	10	29	6 - 12



### CABLE GLANDS

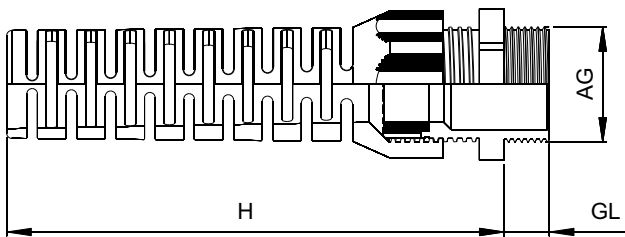
#### Spiral Type

plastic series

IP 68

Halogen free

Material	Polyamide
Colour	RAL 7001 (Gray) RAL 7035 (L. Gray) RAL 9005 (Black)
Protection class	IP 68
Permanent operational temp.	- 30 C° to + 100 C°
Short term max. operational temp.	+150 C°
Seal	Thermoplastic vulcanizate TPV



### PC CABLE GLANDS

AG Thread	Gray Code RAL 7001	L. Gray Code RAL 7035	Black Code RAL 9005	H mm	GL mm	mm	∅K mm
M 12 x 1,5	OMRG 17	OMRL 17	OMRB 17	57	8	15	3 - 6,5
M 16 x 1,5	OMRG 18	OMRL 18	OMRB 18	70	8	19	4 - 8
M 16 x 1,5	OMRG 19	OMRL 19	OMRB 19	81	10	22	5 - 10
M 20 x 1,5	OMRG 20	OMRL 20	OMRB 20	89	10	24	6 - 12
M 20 x 1,5	OMRG 21	OMRL 21	OMRB 21	107	10	27	10 - 14
M 25 x 1,5	OMRG 22	OMRL 22	OMRB 22	124	10	33	13 - 18

### LONG METRIC CABLE GLANDS

M 16 x 1,5	OMRG 23	OMRL 23	OMRB 23	81	15	22	5 - 10
M 20 x 1,5	OMRG 24	OMRL 24	OMRB 24	89	15	24	6 - 12
M 20 x 1,5	OMRG 25	OMRL 25	OMRB 25	107	15	27	10 - 14
M 25 x 1,5	OMRG 26	OMRL 26	OMRB 26	124	15	33	13 - 18

### PC CABLE GLANDS

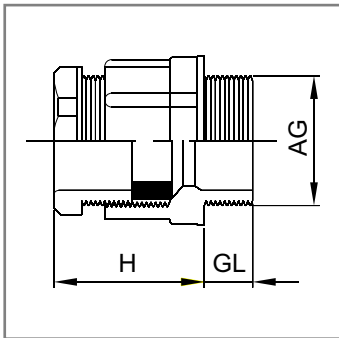
AG Thread	Gray Code RAL 7001	L. Gray Code RAL 7035	Black Code RAL 9005	H mm	GL mm	mm	∅K mm
PG 7	ORG 19	ORL 19	ORB 19	57	8	15	3 - 6,5
PG 9	ORG 20	ORL 20	ORB 20	70	8	19	4 - 8
PG 11	ORG 21	ORL 21	ORB 21	81	8	22	5 - 10
PG 13,5	ORG 22	ORL 22	ORB 22	89	9	24	6 - 12
PG 16	ORG 23	ORL 23	ORB 23	107	9	27	10 - 14
PG 21	ORG 24	ORL 24	ORB 24	124	11	33	13 - 18

### CABLE GLANDS Flat Type

plastic series

Material	Polyamide
Colour	RAL 7001 (Gray) RAL 7035 (L. Gray) RAL 9005 (Black)
Protection class	IP 54
Permanent operational temp.	- 30 C° to + 100 C°
Short term max. operational temp.	+150 C°
Seal	Thermoplastic vulcanizate TPV

IP 54  
Halogen free



■ RAL 7001



■ RAL 7035



■ RAL 9005



### METRIC FLAT TYPE CABLE GLANDS

EN 50262

AG Thread	Gray Code ■ RAL 7001	L. Gray Code ■ RAL 7035	Black Code ■ RAL 9005	H mm	GL mm	mm	$\varnothing$ mm
M 12 x 1,5	DMRG 01	DMRL 01	DMRB 01	21	8	15	3,5 - 6
M 16 x 1,5	DMRG 02	DMRL 02	DMRB 02	22	8	19	4,5 - 7
M 16 x 1,5	DMRG 03	DMRL 03	DMRB 03	22	8	22	6 - 9
M 20 x 1,5	DMRG 04	DMRL 04	DMRB 04	26	9	24	9 - 12
M 20 x 1,5	DMRG 05	DMRL 05	DMRB 05	28	10	27	11 - 14
M 25 x 1,5	DMRG 06	DMRL 06	DMRB 06	32	11	33	14 - 18
M 32 x 1,5	DMRG 07	DMRL 07	DMRB 07	35	11	42	18 - 25
M 40 x 1,5	DMRG 08	DMRL 08	DMRB 08	39	13	53	25 - 32

### PG FLAT TYPE CABLE GLANDS

DIN 46320

AG Thread	Gray Code ■ RAL 7001	L. Gray Code ■ RAL 7035	Black Code ■ RAL 9005	H mm	GL mm	mm	$\varnothing$ mm
PG 7	ORG 11	ORL 11	ORB 11	21	8	15	3,5 - 6
PG 9	ORG 12	ORL 12	ORB 12	22	8	19	4,5 - 7
PG 11	ORG 13	ORL 13	ORB 13	22	8	22	6 - 9
PG 13,5	ORG 14	ORL 14	ORB 14	26	9	24	9 - 12
PG 16	ORG 15	ORL 15	ORB 15	28	10	27	11 - 14
PG 21	ORG 16	ORL 16	ORB 16	32	11	33	14 - 18
PG 29	ORG 17	ORL 17	ORB 17	35	11	42	18 - 25
PG 36	ORG 18	ORL 18	ORB 18	39	13	53	25 - 32

### CABLE GLANDS

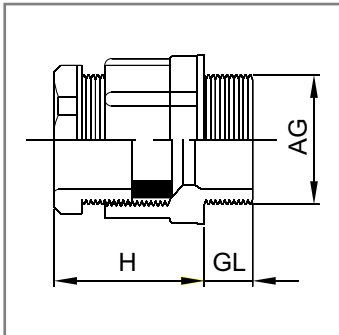
plastic series

#### Flat Type Closed Seal

Material	Polyamide
Colour	RAL 7001 (Gray) RAL 7035 (L. Gray) RAL 9005 (Black)
Protection class	IP 54
Permanent operational temp.	- 30 C° to + 100 C°
Short term max. operational temp.	+150 C°
Seal	Thermoplastic vulcanizate TPV

IP 54

Halogen free



■ RAL 7001



■ RAL 7035



■ RAL 9005



### METRIC FLAT TYPE CABLE GLANDS

AG Thread	Gray Code ■ RAL 7001	L. Gray Code ■ RAL 7035	Black Code ■ RAL 9005	H mm	GL mm	mm	∅K mm
M 12 x 1,5	KMRG 17	KMRL 17	KMRB 17	21	8	15	3,5 - 6
M 16 x 1,5	KMRG 18	KMRL 18	KMRB 18	22	8	19	4,5 - 7
M 16 x 1,5	KMRG 19	KMRL 19	KMRB 19	22	8	22	6 - 9
M 20 x 1,5	KMRG 20	KMRL 20	KMRB 20	26	9	24	9 - 12
M 20 x 1,5	KMRG 21	KMRL 21	KMRB 21	28	10	27	11 - 14
M 25 x 1,5	KMRG 22	KMRL 22	KMRB 22	32	11	33	14 - 18
M 32 x 1,5	KMRG 23	KMRL 23	KMRB 23	35	11	42	18 - 25
M 40 x 1,5	KMRG 24	KMRL 24	KMRB 24	39	13	53	25 - 32

### PC FLAT TYPE CABLE GLANDS

DIN 46320

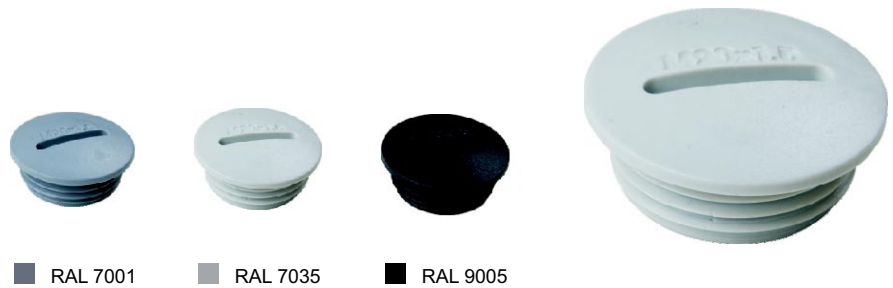
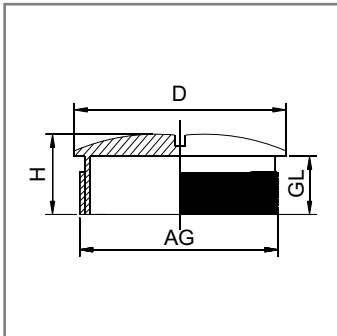
AG Thread	Gray Code ■ RAL 7001	L. Gray Code ■ RAL 7035	Black Code ■ RAL 9005	H mm	GL mm	mm	∅K mm
PG 7	KRG 11	KRL 11	KRB 11	21	8	15	3,5 - 6
PG 9	KRG 12	KRL 12	KRB 12	22	8	19	4,5 - 7
PG 11	KRG 13	KRL 13	KRB 13	22	8	22	6 - 9
PG 13,5	KRG 14	KRL 14	KRB 14	26	9	24	9 - 12
PG 16	KRG 15	KRL 15	KRB 15	28	10	27	11 - 14
PG 21	KRG 16	KRL 16	KRB 16	32	11	33	14 - 18
PG 29	KRG 17	KRL 17	KRB 17	35	11	42	18 - 25
PG 36	KRG 18	KRL 18	KRB 18	39	13	53	25 - 32

### BLIND STOPS

plastic series

Material: Polyamide  
 Colour: RAL 7001 (Gray), RAL 7035 (L. Gray), RAL 9005 (Black)  
 Protection class: IP 54  
 Permanent operational temp.: - 40 C° to + 100 C°  
 Short term max. operational temp.: +150 C°

IP 54  
 Halogen free



### METRIC BLIND STOPS

AG Thread	Gray Code ■ RAL 7001	L. Gray Code ■ RAL 7035	Black Code ■ RAL 9005	H mm	GL mm	D mm
M 12 x 1,5	MOGK 01	MOLK 01	MOBK 01	8,5	6	15
M 16 x 1,5	MOGK 02	MOLK 02	MOBK 02	10	7	20
M 20 x 1,5	MOGK 03	MOLK 03	MOBK 03	10	7	24
M 25 x 1,5	MOGK 04	MOLK 04	MOBK 04	14	10	30
M 32 x 1,5	MOGK 05	MOLK 05	MOBK 05	14	10	37
M 40 x 1,5	MOGK 06	MOLK 06	MOBK 06	15	10	46

### PG BLIND STOPS

AG Thread	Gray Code ■ RAL 7001	L. Gray Code ■ RAL 7035	Black Code ■ RAL 9005	H mm	GL mm	D mm
PG 7	OGK 01	OLK 01	OBK 01	8	6	15
PG 9	OGK 02	OLK 02	OBK 02	9	6	19
PG 11	OGK 03	OLK 03	OBK 03	9	6	22
PG 13,5	OGK 04	OLK 04	OBK 04	8,5	6	25
PG 16	OGK 05	OLK 05	OBK 05	8,5	6	27
PG 21	OGK 06	OLK 06	OBK 06	12	8	33
PG 29	OGK 07	OLK 07	OBK 07	12	8	44
PG 36	OGK 08	OLK 08	OBK 08	15	10	55

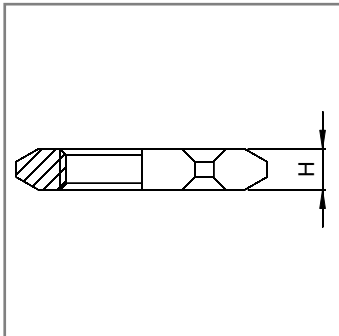
### LOCK NUTS

plastic series

#### Hexagonal

Material Polyamide %30 glass fibre reinforced  
 Colour RAL 7001 (Gray)  
 RAL 7035 (L. Gray)  
 RAL 9005 (Black)  
 Permanent operational temp. - 40 C° to + 100 C°  
 Short term max. operational temp. +150 C°

Halogen free



■ RAL 7001




■ RAL 7035




■ RAL 9005



### METRIC LOCK NUTS

AG Thread	Gray Code ■ RAL 7001	L. Gray Code ■ RAL 7035	Black Code ■ RAL 9005	H mm	 mm
M 12 x 1,5	MSG 01	MSL 01	MSB 01	5	18
M 16 x 1,5	MSG 02	MSL 02	MSB 02	5	22
M 20 x 1,5	MSG 03	MSL 03	MSB 03	6	26
M 25 x 1,5	MSG 04	MSL 04	MSB 04	6	32
M 32 x 1,5	MSG 05	MSL 05	MSB 05	7	41
M 40 x 1,5	MSG 06	MSL 06	MSB 06	7	50
M 50 x 1,5	MSG 07	MSL 07	MSB 07	8	60
M 63 x 1,5	MSG 08	MSL 08	MSB 08	8	75

### PG LOCK NUTS

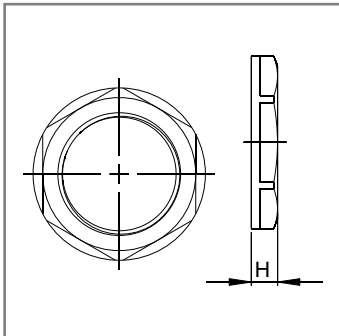
AG Thread	Gray Code ■ RAL 7001	L. Gray Code ■ RAL 7035	Black Code ■ RAL 9005	H mm	 mm
PG 7	OSG 01	OSL 01	OSB 01	5	19
PG 9	OSG 02	OSL 02	OSB 02	5	22
PG 11	OSG 03	OSL 03	OSB 03	5	24
PG 13,5	OSG 04	OSL 04	OSB 04	6	27
PG 16	OSG 05	OSL 05	OSB 05	6	30
PG 21	OSG 06	OSL 06	OSB 06	7	36
PG 29	OSG 07	OSL 07	OSB 07	7	46
PG 36	OSG 08	OSL 08	OSB 08	8	60
PG 42	OSG 09	OSL 09	OSB 09	8	65
PG 48	OSG 10	OSL 10	OSB 10	8	70

### LOCK NUTS Hexagonal With Collar

plastic series

Material: Polyamide %30 glass fibre reinforced  
 Colour: RAL 7001 (Gray)  
 RAL 7035 (L. Gray)  
 RAL 9005 (Black)  
 Permanent operational temp.: - 40 C° to + 100 C°  
 Short term max. operational temp.: +150 C°

Halogen free



■ RAL 7001




■ RAL 7035




■ RAL 9005



### METRIC LOCK NUTS WITH COLLAR

AG Thread	Gray Code ■ RAL 7001	L. Gray Code ■ RAL 7035	Black Code ■ RAL 9005	H mm	 mm
M 12 x 1,5	RMSG 01	RMSL 01	RMSB 01	5	18
M 16 x 1,5	RMSG 02	RMSL 02	RMSB 02	5	22
M 20 x 1,5	RMSG 03	RMSL 03	RMSB 03	6	26
M 25 x 1,5	RMSG 04	RMSL 04	RMSB 04	6	32
M 32 x 1,5	RMSG 05	RMSL 05	RMSB 05	7	41
M 40 x 1,5	RMSG 06	RMSL 06	RMSB 06	7	50
M 50 x 1,5	RMSG 07	RMSL 07	RMSB 07	8	60
M 63 x 1,5	RMSG 08	RMSL 08	RMSB 08	8	75

### PG LOCK NUTS WITH COLLAR

AG Thread	Gray Code ■ RAL 7001	L. Gray Code ■ RAL 7035	Black Code ■ RAL 9005	H mm	 mm
PG 7	ROSG 01	ROSL 01	ROSB 01	5	19
PG 9	ROSG 02	ROSL 02	ROSB 02	5	22
PG 11	ROSG 03	ROSL 03	ROSB 03	5	24
PG 13,5	ROSG 04	ROSL 04	ROSB 04	6	27
PG 16	ROSG 05	ROSL 05	ROSB 05	6	30
PG 21	ROSG 06	ROSL 06	ROSB 06	7	36
PG 29	ROSG 07	ROSL 07	ROSB 07	7	46
PG 36	ROSG 08	ROSL 08	ROSB 08	8	60
PG 42	ROSG 09	ROSL 09	ROSB 09	8	65
PG 48	ROSG 10	ROSL 10	ROSB 10	8	70

### PROTECTION ACCESSORIES

Material  
Polyamide

Temperature range  
- 40 C° to + 100 C°



Temperature range  
- 20 C° to + 70 C°



#### PROTECTION TAPS

M Thread	PG Thread	Black Code ■ RAL 9005	Red Code ■ RAL 3020
M 12 x 1,5	PG 7	PTB 01	PTR 01
M 16 x 1,5	PG 9	PTB 02	PTR 02
M 16 x 1,5	PG 11	PTB 03	PTR 03
M 20 x 1,5	PG 13,5	PTB 04	PTR 04
M 20 x 1,5	PG 16	PTB 05	PTR 05
M 25 x 1,5	PG 21	PTB 06	PTR 06
M 32 x 1,5	PG 29	PTB 07	PTR 07
M 40 x 1,5	PG 36	PTB 08	PTR 08
M 50 x 1,5	PG 42	PTB 09	PTR 09
M 63 x 1,5	PG 48	PTB 10	PTR 10

#### DUST CAPS

M Thread	PG Thread	Red Code ■ RAL 3020	Outer mm
M 12 x 1,5	PG 7	DC 01	11
M 16 x 1,5	PG 9	DC 02	11
M 16 x 1,5	PG 11	DC 03	16
M 20 x 1,5	PG 13,5	DC 04	18
M 20 x 1,5	PG 16	DC 05	20
M 25 x 1,5	PG 21	DC 06	25
M 32 x 1,5	PG 29	DC 07	32
M 40 x 1,5	PG 36	DC 08	42
M 50 x 1,5	PG 42	DC 09	48
M 63 x 1,5	PG 48	DC 10	53

Material  
Polystrol

Temperature range  
- 20 C° to + 70 C°



Material  
NBR

Temperature range  
- 30 C° to + 120 C°



#### JOINT WASHER

Code	H	Inner mm	Outer mm
WSH 01	1,3	7,9	11
WSH 02	1,3	10	13,4
WSH 03	1,4	11,9	17
WSH 04	1,3	13,8	18,3
WSH 05	1,5	15,9	20,4
WSH 06	1,5	20,9	25,9

#### O - RING

M Thread	M Code	PG Thread	PG Code
M 12 x 1,5	M80015	PG 7	P90015
M 16 x 1,5	M12015	PG 9	P11015
M 20 x 1,5	M16015	PG 11	P13015
M 25 x 1,5	M19020	PG 13,5	P16015
M 32 x 1,5	M23020	PG 16	P18015
M 40 x 1,5	M30020	PG 21	P22020
M 50 x 1,5	M42020	PG 29	P30020
M 63 x 1,5	M54020	PG 36	P40020
		PG 42	P48020
		PG 48	P53020

### BRASS CABLE GLANDS

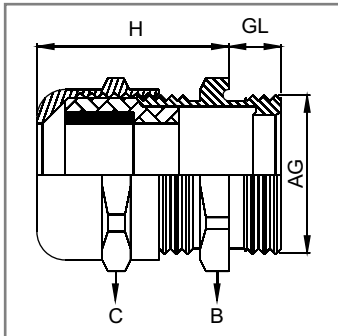
metal series

#### Standard Type

Material	Brass, nickel plated
Clamping insert	Polyamide
Connection thread M	EN 60423
Connection thread PG	EN 40430
Seal	Thermoplastic vulcanizateTPV
Protection class	IP 68
Temperature range	- 40 C° to + 100 C°
O-ring	NBR

IP 68

Halogen free



### METRIC CABLE GLANDS

AG Thread	Code	H mm	GL mm	B mm	C mm	∅K mm
M 12 x 1,5	OMBG 01	19	6	14	14	3 - 6,5
M 16 x 1,5	OMBG 02	21	7	18	17	4 - 8
M 20 x 1,5	OMBG 03	23	8	22	22	6 - 12
M 25 x 1,5	OMBG 04	24	8	27	24	10 - 14
M 32 x 1,5	OMBG 05	25	9	34	30	13 - 18
M 40 x 1,5	OMBG 06	31	9	43	40	18 - 25
M 50 x 1,5	OMBG 07	37	9	55	50	22 - 32
M 63 x 1,5	OMBG 08	38	14	68	64	34 - 44

### PG CABLE GLANDS

AG Thread	Code	H mm	GL mm	mm	∅K mm
PG 7	OPBG 01	19	6	14	3 - 6,5
PG 9	OPBG 02	21	6	17	4 - 8
PG 11	OPBG 03	22	6	20	5 - 10
PG 13,5	OPBG 04	23	6,5	22	6 - 12
PG 16	OPBG 05	24	6,5	24	10 - 14
PG 21	OPBG 06	25	7	30	13 - 18
PG 29	OPBG 07	31	8	40	18 - 25
PG 36	OPBG 08	37	10	50	22 - 32
PG 42	OPBG 09	37	12	57	30 - 38
PG 48	OPBG 10	38	14	64	34 - 44



### BRASS CABLE GLANDS

metal series

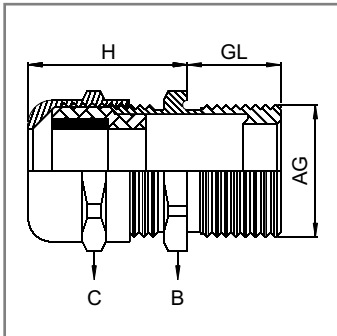
#### Long Type

Material	Brass, nickel plated
Clamping insert	Polyamide
Connection thread M	EN 60423
Connection thread PG	EN 40430
Seal	Thermoplastic vulcanizateTPV
Protection class	IP 68
Temperature range	- 40 C° to + 100 C°
O-ring	NBR

IP 68

Halogen free

1/4



### LONG METRIC CABLE GLANDS

AG Thread	Code	H mm	GL mm	B mm	C mm	∅K mm
M 12 x 1,5	OMBG 09	19	12	14	14	3 - 6,5
M 16 x 1,5	OMBG 10	21	12	18	17	4 - 8
M 20 x 1,5	OMBG 11	23	12	22	22	6 - 12
M 25 x 1,5	OMBG 12	24	12	27	24	10 - 14
M 32 x 1,5	OMBG 13	25	14	34	30	13 - 18
M 40 x 1,5	OMBG 14	31	14	43	40	18 - 25
M 50 x 1,5	OMBG 15	37	14	55	50	22 - 32
M 63 x 1,5	OMBG 16	38	18	68	64	34 - 44

### SPECIAL LONG

M 16 x 1,5	OMBGL 02	21	25	18	17	4 - 8
M 20 x 1,5	OMBGL 03	23	25	22	22	6 - 12
M 25 x 1,5	OMBGL 04	24	25	27	24	10 - 14
M 32 x 1,5	OMBGL 05	25	25	34	30	13 - 18

### LONG PG CABLE GLANDS

AG Thread	Code	H mm	GL mm	mm	∅K mm
PG 7	OPBG 11	19	10	14	3 - 6,5
PG 9	OPBG 12	21	10	17	4 - 8
PG 11	OPBG 13	22	10	20	5 - 10
PG 13,5	OPBG 14	23	10	22	6 - 12
PG 16	OPBG 15	24	10	24	10 - 14
PG 21	OPBG 16	25	12	30	13 - 18
PG 29	OPBG 17	31	12	40	18 - 25
PG 36	OPBG 18	37	14	50	22 - 32
PG 42	OPBG 19	37	18	57	30 - 38
PG 48	OPBG 20	38	18	64	34 - 44

### BRASS CABLE GLANDS

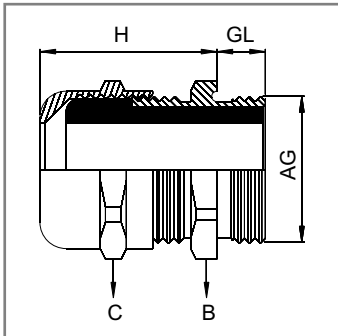
metal series

*Silicon Seal*

Material	Brass, nickel plated
Connection thread M	EN 60423
Connection thread PG	EN 40430
Seal	Silicone
Protection class	IP 68
Temperature range	- 40 C° to + 200 C°
O-ring	Silicone

IP 68

Halogen free



### METRIC CABLE GLANDS

AG Thread	Code	H mm	GL mm	B mm	C mm	∅K mm
M 12 x 1,5	MBGS 01	19	6	14	14	3 - 6,5
M 16 x 1,5	MBGS 02	21	7	18	17	4 - 8
M 20 x 1,5	MBGS 03	23	8	22	22	6 - 12
M 25 x 1,5	MBGS 04	24	8	27	24	10 - 14
M 32 x 1,5	MBGS 05	25	9	34	30	13 - 18
M 40 x 1,5	MBGS 06	31	9	43	40	18 - 25
M 50 x 1,5	MBGS 07	37	9	55	50	22 - 32
M 63 x 1,5	MBGS 08	38	14	68	64	34 - 44

### PG CABLE GLANDS

AG Thread	Code	H mm	GL mm	mm	∅K mm
PG 7	PBGS 01	19	6	14	3 - 6,5
PG 9	PBGS 02	21	6	17	4 - 8
PG 11	PBGS 03	22	6	20	5 - 10
PG 13,5	PBGS 04	23	6,5	22	6 - 12
PG 16	PBGS 05	24	6,5	24	10 - 14
PG 21	PBGS 06	25	7	30	13 - 18
PG 29	PBGS 07	31	8	40	18 - 25
PG 36	PBGS 08	37	10	50	22 - 32
PG 42	PBGS 09	37	12	57	30 - 38
PG 48	PBGS 10	38	14	64	34 - 44

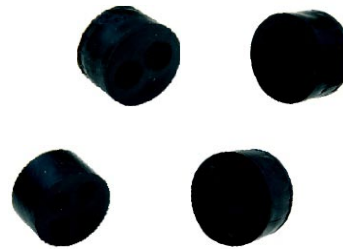
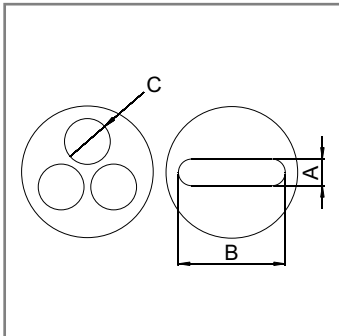
### BRASS CABLE GLANDS Multihole - Flathole

metal series

Material	Brass, nickel plated
Clamping insert	Polyamide
Connection thread	EN 60423
Seal	Thermoplastic vulcanizate TPV
Protection class	IP 65
Temperature range	- 40 C° to + 100 C°
O-ring	NBR

IP 65

Halogen free



### METRIC CABLE GLANDS

AG Thread	Code	H mm	GL mm	B mm	C mm	Number Of Holes	C mm
M 16 x 1,5	OMBG 02A3	21	7	18	17	2	3
M 16 x 1,5	OMBG 02B3	21	7	18	17	3	3
M 16 x 1,5	OMBG 02C3	21	7	18	17	4	3
M 20 x 1,5	OMBG 03A5	23	8	22	22	2	5
M 20 x 1,5	OMBG 03A6	23	8	22	22	2	6
M 20 x 1,5	OMBG 03B4	23	8	22	22	3	4
M 20 x 1,5	OMBG 03B5	23	8	22	22	3	5
M 25 x 1,5	OMBG 04A4	24	8	27	24	2	4
M 25 x 1,5	OMBG 04A7	24	8	27	24	2	7
M 25 x 1,5	OMBG 04B4	24	8	27	24	3	4
M 25 x 1,5	OMBG 04B6	24	8	27	24	3	6
M 25 x 1,5	OMBG 04C5	24	8	27	24	4	5
M 32 x 1,5	OMBG 05A8	25	9	34	30	2	8
M 32 x 1,5	OMBG 05A9	25	9	34	30	2	9
M 32 x 1,5	OMBG 05B7	25	9	34	30	3	7
M 32 x 1,5	OMBG 05B8	25	9	34	30	3	8
M 32 x 1,5	OMBG 05C7	25	9	34	30	4	7
M 32 x 1,5	OMBG 05G3	25	9	34	30	8	3
M 32 x 1,5	OMBG 05G4	25	9	34	30	8	4

### FLAT HOLE METRIC CABLE GLANDS

AG Thread	Code	H mm	GL mm	B mm	C mm	A mm	B mm
M 20 x 1,5	YMBG 05	23	8	22	22	5	12
M 25 x 1,5	YMBG 06	24	8	27	24	6	16,3
M 32 x 1,5	YMBG 07	25	9	34	30	9	20
M 40 x 1,5	YMBG 08	31	9	43	40	10	27
M 50 x 1,5	YMBG 09	37	9	55	50	13	34
M 63 x 1,5	YMBG 10	38	14	68	64	15	45

### BRASS CABLE GLANDS

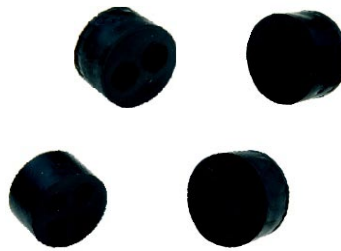
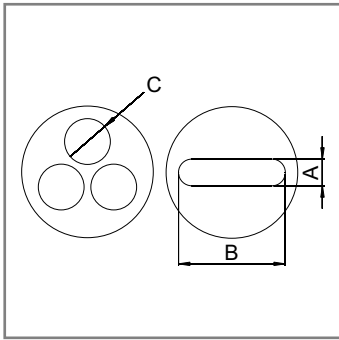
Silicon Seal

metal series


Material	Brass, nickel plated
Clamping insert	Polyamide
Connection thread	EN 40430
Seal	Thermoplastic vulcanizateTPV
Protection class	IP 65
Temperature range	- 40 C° to + 100 C°
O-ring	NBR

IP 65


Halogen free



### PG CABLE GLANDS

AG Thread	Code	H mm	GL mm	 mm	Number Of Holes	C mm
PG 9	OPBG 02A3	21	6	17	2	3
PG 9	OPBG 02B3	21	6	17	3	3
PG 9	OPBG 02C3	21	6	17	4	3
PG 11	OPBG 03A4	22	6	20	2	4
PG 11	OPBG 03A5	22	6	20	2	5
PG 11	OPBG 03B4	22	6	20	3	4
PG 11	OPBG 03B5	22	6	20	3	5
PG 13,5	OPBG 04A5	23	6,5	22	2	5
PG 13,5	OPBG 04A6	23	6,5	22	2	6
PG 13,5	OPBG 04B4	23	6,5	22	3	4
PG 13,5	OPBG 04B5	23	6,5	22	3	5
PG 16	OPBG 05A4	24	6,5	24	2	4
PG 16	OPBG 05A7	24	6,5	24	2	7
PG 16	OPBG 05B4	24	6,5	24	3	4
PG 16	OPBG 05B6	24	6,5	24	3	6
PG 16	OPBG 05C5	24	6,5	24	4	5
PG 21	OPBG 06A8	25	7	30	2	8
PG 21	OPBG 06A9	25	7	30	2	9
PG 21	OPBG 06B7	25	7	30	3	7
PG 21	OPBG 06B8	25	7	30	3	8
PG 21	OPBG 06C7	25	7	30	4	7
PG 21	OPBG 06G3	25	7	30	8	3
PG 21	OPBG 06G4	25	7	30	8	4

### FLATHOLE PG CABLE GLANDS

AG Thread	Code	H mm	GL mm	 mm	A mm	B mm
PG 16	YPBG 05	24	6,5	24	5	12
PG 21	YPBG 06	25	7	30	6	16,3
PG 29	YPBG 07	31	8	40	9	20
PG 36	YPBG 08	37	10	50	10	27
PG 42	YPBG 09	37	12	57	13	34
PG 48	YPBG 10	38	14	64	15	45

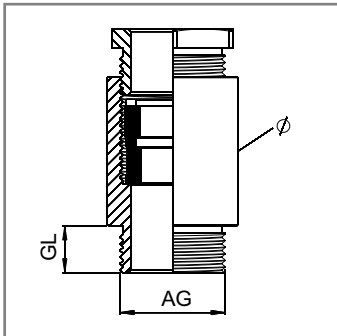
### BRASS CABLE GLANDS Multihole - Flathole

metal series

Material	Brass, nickel plated
Connection thread M	EN 60423
Connection thread PG	EN 40430
Seal	Thermoplastic vulcanizateTPV
Protection class	IP 54
Temperature range	- 40 C° to + 100 C°
O-ring	NBR

IP 54

Halogen free



### METRIC ARMoured CABLE GLANDS

AG Thread	Code	GL mm	Ø mm	∅ mm
M 16 x 1,5	MACG 01	8	22	7 - 9
M 16 x 1,5	MACG 02	8	24	10 - 12
M 20 x 1,5	MACG 03	8	24	10 - 12
M 20 x 1,5	MACG 04	8	27	12 - 14
M 20 x 1,5	MACG 05	8	30	16 - 18
M 25 x 1,5	MACG 06	10	27	12 - 14
M 25 x 1,5	MACG 07	10	30	16 - 18
M 25 x 1,5	MACG 08	13	40	22 - 25
M 32 x 1,5	MACG 09	13	40	22 - 25
M 32 x 1,5	MACG 10	13	50	29 - 32
M 40 x 1,5	MACG 11	13	40	22 - 25
M 40 x 1,5	MACG 12	13	50	29 - 32

### PG ARMoured CABLE GLANDS

AG Thread	Code	GL mm	Ø mm	∅ mm
PG 9	PACG 01	8	22	7 - 9
PG 11	PACG 02	8	22	7 - 9
PG 11	PACG 03	8	24	10 - 12
PG 13,5	PACG 04	8	24	10 - 12
PG 13,5	PACG 05	8	27	12 - 14
PG 16	PACG 06	10	27	12 - 14
PG 16	PACG 07	10	30	16 - 18
PG 21	PACG 08	10	30	16 - 18
PG 21	PACG 09	13	40	22 - 25
PG 29	PACG 10	13	40	22 - 25
PG 29	PACG 11	13	50	29 - 32
PG 36	PACG 12	13	40	22 - 25
PG 36	PACG 13	13	50	29 - 32

### BRASS CABLE GLANDS

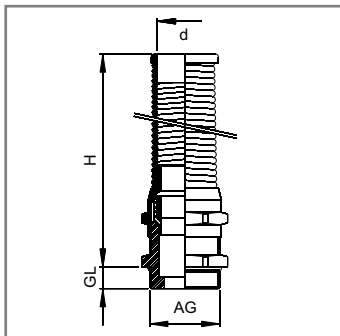
metal series

#### Spiral Type

Material	Brass, nickel plated
Spiral spring	Stainless steel
Clamping insert	Polyamide
Connection thread M	EN 60423
Connection thread PG	EN 40430
Seal	Thermoplastic vulcanizate TPV
Protection class	IP 68
Temperature range	- 40 C° to + 100 C°
O-ring	NBR

IP 68

Halogen free



### METRIC SPIRAL CABLE GLANDS

AG Thread	Code	H mm	GL mm	d mm	mm	∅ mm
M 12 x 1,5	STCG 01	55	6	6,8	14	3 - 6,5
M 16 x 1,5	STCG 02	66	7	8,2	18	4 - 8
M 20 x 1,5	STCG 03	88	8	12,3	22	6 - 12
M 25 x 1,5	STCG 04	98	8	14,3	27	10 - 14

### LONG METRIC SPIRAL CABLE GLANDS

M 12 x 1,5	STCGL 01	55	12	6,8	14	3 - 6,5
M 16 x 1,5	STCGL 02	66	12	8,2	18	4 - 8
M 20 x 1,5	STCGL 03	88	12	12,3	22	6 - 12
M 25 x 1,5	STCGL 04	98	12	14,3	27	10 - 14

### PG SPIRAL CABLE GLANDS

AG Thread	Code	H mm	GL mm	d mm	mm	∅ mm
PG 7	STPG 01	55	6	6,8	14	3 - 6,5
PG 9	STPG 02	66	6	8,2	17	4 - 8
PG 11	STPG 03	77	6	10,3	20	5 - 10
PG 13,5	STPG 04	88	6,5	12,3	22	6 - 12
PG 16	STPG 05	98	6,5	14,3	24	10 - 14
PG 21	STPG 06	111	7	18,4	30	13 - 18

### LONG PG SPIRAL CABLE GLANDS

PG 7	STPGL 01	55	10	6,8	14	3 - 6,5
PG 9	STPGL 02	66	10	8,2	17	4 - 8
PG 11	STPGL 03	77	10	10,3	20	5 - 10
PG 13,5	STPGL 04	88	10	12,3	22	6 - 12
PG 16	STPGL 05	98	10	14,3	24	10 - 14
PG 21	STPGL 06	111	12	18,4	30	13 - 18

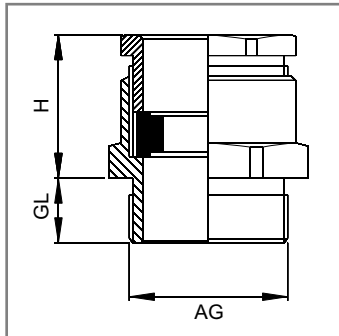
### BRASS CABLE GLANDS Flat Type

metal series


Material	Brass, nickel plated
Connection thread M	EN 60423
Connection thread PG	EN 40430
Seal	Thermoplastic vulcanizateTPV
Protection class	IP 54
Temperature range	- 40 C° to + 100 C°
O-ring	NBR

IP 54


Halogen free



### METRIC FLAT TYPE CABLE GLANDS

AG Thread	Code	H mm	GL mm	 mm	$\times \text{ØK}$ mm
M 12 x 1,5	DOMR 01	16	5	14	3,5 - 6
M 16 x 1,5	DOMR 02	17	5	18	4,5 - 7
M 20 x 1,5	DOMR 03	19	6	22	9 - 12
M 25 x 1,5	DOMR 04	20,5	7	27	11 - 14
M 32 x 1,5	DOMR 05	22,5	8	34	14 - 18
M 40 x 1,5	DOMR 06	25	8	43	18 - 25
M 50 x 1,5	DOMR 07	30	9	55	25 - 32
M 63 x 1,5	DOMR 08	35	10	68	38 - 44

### PG FLAT TYPE CABLE GLANDS

AG Thread	Code	H mm	GL mm	 mm	$\times \text{ØK}$ mm
PG 7	DOPR 01	16	5	14	3,5 - 6
PG 9	DOPR 02	17	6	17	4,5 - 7
PG 11	DOPR 03	18	6	20	6 - 9
PG 13,5	DOPR 04	19	6,5	22	9 - 12
PG 16	DOPR 05	20,5	6,5	24	11 - 14
PG 21	DOPR 06	22,5	7	30	14 - 18
PG 29	DOPR 07	25	8	40	18 - 25
PG 36	DOPR 08	30	9	50	25 - 32
PG 42	DOPR 09	34	10	57	30 - 38
PG 48	DOPR 10	35	10	64	38 - 44

### BRASS CABLE GLANDS

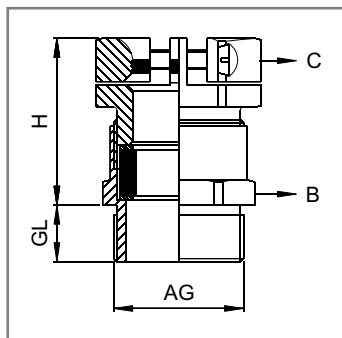
metal series

*with traction relief*

Material	Brass, nickel plated
Connection thread M	EN 60423
Connection thread PG	EN 40430
Seal	Thermoplastic vulcanizateTPV
Protection class	IP 54
Temperature range	- 40 C° to + 100 C°
O-ring	NBR

IP 54

Halogen free



### METRIC CABLE GLANDS WITH TRACTION RELIEF

AG Thread	Code	H mm	GL mm	B mm	C mm	∅K mm
M 12 x 1,5	OKMR 01	22	5	14	16	3,5 - 6
M 16 x 1,5	OKMR 02	25	5	18	19	4,5 - 7
M 20 x 1,5	OKMR 03	26,5	6	22	24	9 - 12
M 25 x 1,5	OKMR 04	32	7	27	33	11 - 14
M 32 x 1,5	OKMR 05	35	8	34	42	14 - 18
M 40 x 1,5	OKMR 06	41	8	43	52	18 - 25
M 50 x 1,5	OKMR 07	44	9	55	59	25 - 32
M 63 x 1,5	OKMR 08	45	10	68	64	38 - 44

### PG CABLE GLANDS WITH TRACTION RELIEF

AG Thread	Code	H mm	GL mm	B mm	C mm	∅K mm
PG 7	OKPR 01	22	5	14	16	3,5 - 6
PG 9	OKPR 02	25	6	17	19	4,5 - 7
PG 11	OKPR 03	26	6	20	22	6 - 9
PG 13,5	OKPR 04	26,5	6,5	22	24	9 - 12
PG 16	OKPR 05	28	6,5	24	26	11 - 14
PG 21	OKPR 06	32	7	30	33	14 - 18
PG 29	OKPR 07	35	8	40	42	18 - 25
PG 36	OKPR 08	41	9	50	52	25 - 32
PG 42	OKPR 09	44	10	57	59	30 - 38
PG 48	OKPR 10	45	10	64	64	38 - 44



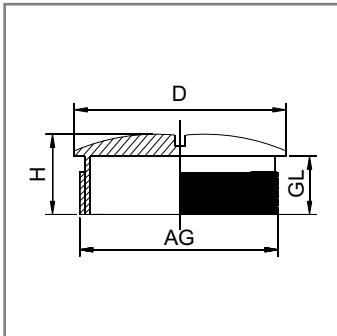
### BRASS BLIND STOPS

metal series

Material	Brass, nickel plated
Connection thread M	EN 60423
Connection thread PG	EN 40430
Protection class	IP 68
O-ring	NBR

IP 68

Halogen free



#### METRIC BRASS BLIND STOPS

AG Thread	Code	H mm	GL mm	D mm
M 12 x 1,5	OMBK 01	7,5	5	14
M 16 x 1,5	OMBK 02	8	5	18
M 20 x 1,5	OMBK 03	9,5	6,5	22
M 25 x 1,5	OMBK 04	11	7	28
M 32 x 1,5	OMBK 05	12	8	35
M 40 x 1,5	OMBK 06	13	8,5	44
M 50 x 1,5	OMBK 07	15	9	54
M 63 x 1,5	OMBK 08	16	10	67

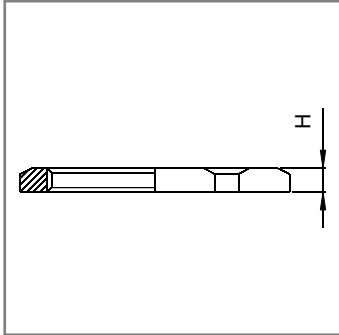
#### PG BRASS BLIND STOPS

AG Thread	Code	H mm	GL mm	D mm
PG 7	OPBK 01	8	5	14
PG 9	OPBK 02	9	6	17
PG 11	OPBK 03	9	6	20
PG 13,5	OPBK 04	9,5	6,5	22
PG 16	OPBK 05	9,5	6,5	24
PG 21	OPBK 06	11	7	30
PG 29	OPBK 07	12	8	39
PG 36	OPBK 08	15	9	50
PG 42	OPBK 09	16	10	57
PG 48	OPBK 10	16	10	64


### BRASS LOCK NUTS

metal series


Material Brass, nickel plated  
 Connection thread M EN 60423  
 Connection thread PG EN 40430



#### METRIC BRASS LOCK NUTS

AG Thread	Code	H mm	 mm
M 12 x 1,5	OMBL 01	2,8	15
M 16 x 1,5	OMBL 02	3	19
M 20 x 1,5	OMBL 03	3,5	24
M 25 x 1,5	OMBL 04	3,5	30
M 32 x 1,5	OMBL 05	4	36
M 40 x 1,5	OMBL 06	4	45
M 50 x 1,5	OMBL 07	5	55
M 63 x 1,5	OMBL 08	5	68

#### PG BRASS LOCK NUTS

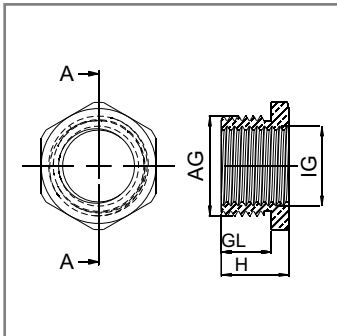
AG Thread	Code	H mm	 mm
PG 7	OPBL 01	2,8	15
PG 9	OPBL 02	2,8	18
PG 11	OPBL 03	3	21
PG 13,5	OPBL 04	3	23
PG 16	OPBL 05	3	26
PG 21	OPBL 06	3,5	32
PG 29	OPBL 07	4	40
PG 36	OPBL 08	5	50
PG 42	OPBL 09	5	60
PG 48	OPBL 10	5,5	64

### BRASS REDUCERS

metal series

Material	Brass, nickel plated
Connection thread M	EN 60423
Connection thread PG	EN 40430
Protection class	IP 68
O-ring	NBR

IP 68



Type 1



Type 2

### REDUCERS

AG mm	Code	IG mm	H mm	GL mm	Type 1 mm	Type 2 Ø mm
M 16 x 1,5	M16RM12	M 12 x 1,5	9	6	18	18
M 20 x 1,5	M20RM12	M 12 x 1,5	9	6	22	24
M 20 x 1,5	M20RM16	M 16 x 1,5	9	6	22	24
M 25 x 1,5	M25RM16	M 16 x 1,5	10	7	27	30
M 25 x 1,5	M25RM20	M 20 x 1,5	10	7	27	30
M 32 x 1,5	M32RM16	M 16 x 1,5	11	8	34	35
M 32 x 1,5	M32RM20	M 20 x 1,5	11	8	34	35
M 32 x 1,5	M32RM25	M 25 x 1,5	11	8	34	35
M 40 x 1,5	M40RM20	M 20 x 1,5	12	8	43	43
M 40 x 1,5	M40RM25	M 25 x 1,5	12	8	43	43
M 40 x 1,5	M40RM32	M 32 x 1,5	12	8	43	43
M 50 x 1,5	M50RM25	M 25 x 1,5	14	10	55	55
M 50 x 1,5	M50RM32	M 32 x 1,5	14	10	55	55
M 50 x 1,5	M50RM40	M 40 x 1,5	14	10	55	55
M 63 x 1,5	M63RM32	M 32 x 1,5	14	10	65	68
M 63 x 1,5	M63RM40	M 40 x 1,5	14	10	65	68
M 63 x 1,5	M63RM50	M 50 x 1,5	14	10	65	68

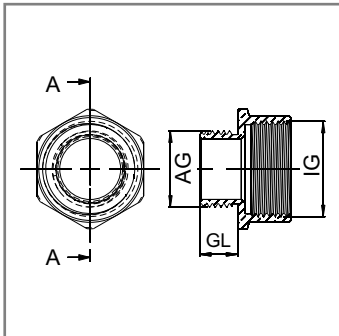
### REDUCERS

AG mm	Code	IG mm	H mm	GL mm	Type 1 mm	Type 2 Ø mm
PG 9	P9RP7	PG 7	9	6	17	17
PG 11	P11RP7	PG 7	9	6	20	20
PG 11	P11RP9	PG 9	9	6	20	20
PG 13,5	P13,5RP9	PG 9	9,5	6,5	22	22
PG 13,5	P13,5RP11	PG 11	9,5	6,5	22	22
PG 16	P16RP9	PG 9	9,5	6,5	24	24
PG 16	P16RP11	PG 11	9,5	6,5	24	24
PG 16	P16RP13,5	PG 13,5	9,5	6,5	24	24
PG 21	P21RP11	PG 11	11	7	30	30
PG 21	P21RP13,5	PG 13,5	11	7	30	30
PG 21	P21RP16	PG 16	11	7	30	30
PG 29	P29RP16	PG 16	12	8	40	39
PG 29	P29RP21	PG 21	12	8	40	39
PG 36	P36RP21	PG 21	13	9	50	50
PG 36	P36RP29	PG 29	13	9	50	50
PG 42	P42RP29	PG 29	14	10	57	57
PG 42	P42RP36	PG 36	14	10	57	57
PG 48	P48RP36	PG 36	14	10	65	64
PG 48	P48RP42	PG 42	14	10	65	64


### BRASS ENLARGERS

metal series

Material Brass, nickel plated  
 Connection thread M EN 60423  
 Connection thread PG EN 40430



#### ENLARGERS

AG mm	Code	IG mm	GL mm	 mm
M 12 x 1,5	M12EM16	M 16 x 1,5	6	18
M 16 x 1,5	M16EM20	M 20 x 1,5	6	22
M 20 x 1,5	M20EM25	M 25 x 1,5	6	27
M 25 x 1,5	M25EM32	M 32 x 1,5	7	34
M 32 x 1,5	M32EM40	M 40 x 1,5	8	43
M 40 x 1,5	M40EM50	M 50 x 1,5	8	55
M 50 x 1,5	M50EM63	M 63 x 1,5	10	65

#### ENLARGERS

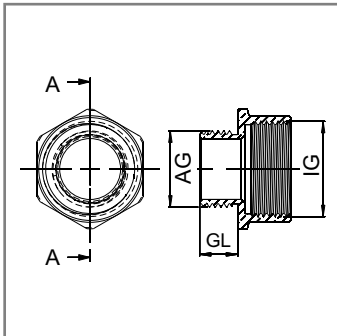
AG mm	Code	IG mm	GL mm	 mm
PG 7	P7EP9	PG 9	6	18
PG 9	P9EP11	PG 11	6	21
PG 11	P11EP13,5	PG 13,5	6	23
PG 13,5	P13,5EP16	PG 16	6	25
PG 16	P16EP21	PG 21	7	30
PG 21	P21EP29	PG 29	7	40
PG 29	P29EP36	PG 36	8	50
PG 36	P36EP42	PG 42	9	57
PG 42	P42EP48	PG 48	10	65

### BRASS ADAPTERS


metal series

Material  
Connection thread M  
Connection thread PG


Brass, nickel plated  
EN 60423  
EN 40430



#### ADAPTERS

AG mm	Code	IG mm	GL mm	 mm
M 12 x 1,5	M12AP7	PG 7	6	14
M 12 x 1,5	M12AP9	PG 9	6	17
M 16 x 1,5	M16AP11	PG 11	6	20
M 20 x 1,5	M20AP11	PG 11	6	22
M 20 x 1,5	M20AP13,5	PG 13,5	6	22
M 25 x 1,5	M25AP16	PG 16	7	27
M 25 x 1,5	M25AP21	PG 21	7	30
M 32 x 1,5	M32AP29	PG 29	8	40
M 40 x 1,5	M40AP29	PG 29	8	43
M 50 x 1,5	M50AP36	PG 36	10	55
M 50 x 1,5	M50AP42	PG 42	10	57
M 63 x 1,5	M63AP48	PG 48	10	65

#### ADAPTERS

AG mm	Code	IG mm	GL mm	 mm
PG 7	P7AM12	M 12 x 1,5	6	14
PG 9	P9AM16	M 16 x 1,5	6	19
PG 11	P11AM16	M 16 x 1,5	6	22
PG 13,5	P13,5AM20	M 20 x 1,5	6	24
PG 16	P16AM20	M 20 x 1,5	7	27
PG 16	P16AM25	M 25 x 1,5	7	30
PG 21	P21AM25	M 25 x 1,5	7	32
PG 21	P21AM32	M 32 x 1,5	7	36
PG 29	P29AM40	M 40 x 1,5	8	43
PG 36	P36AM50	M 50 x 1,5	9	55
PG 42	P42AM63	M 63 x 1,5	10	65

### FLEXIBLE CONDUITS

#### Metal

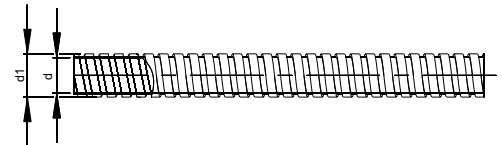
flexible conduits & glands

Material	Galvanized
Protection class	IP 40
Permanent operational temp.	up to 220 C°

IP 40

#### SPIRAL METAL CONDUITS

Code	d mm	d1 mm	
OCS 7	7,5	10,5	50
OCS 9	9	12	50
OCS 11	11	14	50
OCS 14	14	17	50
OCS 16	16	19	50
OCS 18	18	21	50
OCS 21	21	24	50
OCS 26	26	30	25
OCS 29	29	33	25
OCS 32	32	36	25
OCS 37	37	41	25
OCS 42	42	46	25
OCS 45	45	49	25
OCS 51	51	55	25
OCS 55	55	59	25
OCS 60	60	64	25
OCS 63	63	67	25
OCS 75	75	80	25



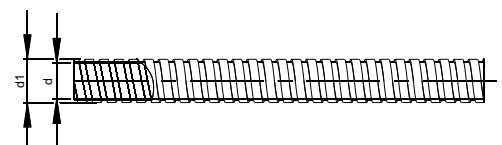
#### PVC COATED

Material	Galvanized
Cover	PVC (polyvinyl chloride)
Colour	Gray / Black
Protection class	IP 68
Permanent operational temp.	- 25 C° to + 80 C°

IP 68

#### PVC COATED SPIRAL METAL CONDUITS

Code	d mm	d1 mm	Roll Length mt
OPCS 7	7,5	11,5	50
OPCS 9	9	13	50
OPCS 11	11	15	50
OPCS 14	14	18	50
OPCS 16	16	20	50
OPCS 18	18	22	50
OPCS 21	21	25	50
OPCS 26	26	31	25
OPCS 29	29	34	25
OPCS 32	32	37	25
OPCS 37	37	42	25
OPCS 42	42	47	25
OPCS 45	45	50	25
OPCS 51	51	56	25
OPCS 55	55	60	25
OPCS 60	60	65	25
OPCS 63	63	68	25
OPCS 75	75	83	25





### FLEXIBLE CONDUITS

*Steel wire over braiding*

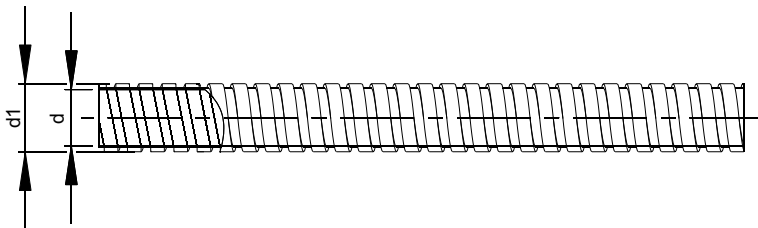
flexible conduits & glands

Material	Galvanized
Braiding cover	Stainless steel
Protection class	IP 40
Permanent operational temp.	up to 220 C°

IP 40

#### STEEL WIRE OVER BRAIDING SPIRAL

Code	d mm	d1 mm	
CTS 9	9	14	30
CTS 11	11	16	30
CTS 13	12,5	17,5	30
CTS 16	16	21	30
CTS 21	21	26	30
CTS 26	26	32	20
CTS 29	29	35	20
CTS 36	35	41	20
CTS 42	42	48	20
CTS 48	51	57	20



### Steel wire over braiding PVC Coated

Material	Galvanized
Cover	PVC (polyvinyl chloride)
Braiding cover	Stainless steel
Protection class	IP 68
Permanent operational temp.	- 25 C° to + 80 C°

IP 68

#### STEEL WIRE OVER BRAIDING PVC COATED SPIRAL CONDUITS

Code	d mm	d1 mm	Roll Length mt
CTPS 9	9	15	30
CTPS 11	11	17	30
CTPS 13	12,5	18,5	30
CTPS 16	16	22	30
CTPS 21	21	27	30
CTPS 26	26	33	20
CTPS 29	29	36	20
CTPS 36	35	42	20
CTPS 42	42	49	20
CTPS 48	51	58	20





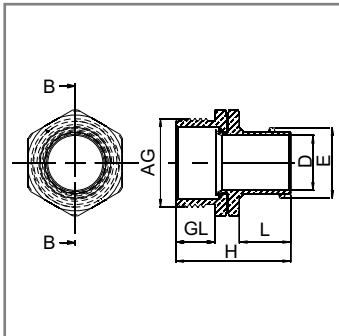
### CONDUIT GLANDS

#### Swivel Body


flexible conduits & glands

Material Brass, nickel plated  
 Connection thread M EN 60423  
 Connection thread PG EN 40430  
 Protection class IP 54  
 O-ring NBR


IP 54



### METRIC CONDUIT GLANDS

AG Thread	Code	H mm	GL mm	L mm	D mm	 mm	E mm
M 12 x 1,5	MDM12	27	8	13	5,5	15	7 x 11,5
M 16 x 1,5	MDM16	27	8	13	7	20	9 x 12,5
M 16 x 1,5	MDM116	29	10	13	9	20	11 x 15
M 20 x 1,5	MDM20	29	10	13	12	22	14 x 18
M 20 x 1,5	MDM120	29	10	13	14	22	16 x 20
M 25 x 1,5	MDM25	31	10	13	17	28	21 x 25
M 32 x 1,5	MDM32	35	12	15	26	35	29 x 34
M 40 x 1,5	MDM40	41	14	17	33,5	45	37 x 42
M 50 x 1,5	MDM50	41	14	17	38,5	55	42 x 47
M 63 x 1,5	MDM63	41	14	17	46	65	51 x 56

### PG CONDUIT GLANDS

AG Thread	Code	H mm	GL mm	L mm	D mm	 mm	E mm
PG 7	MDP7	27	8	13	5,5	15	7 x 11,5
PG 9	MDP9	27	8	13	7	17	9 x 12,5
PG 11	MDP11	29	10	13	9	20	11 x 15
PG 13,5	MDP13,5	29	10	13	12	22	14 x 18
PG 16	MDP16	29	10	13	14	24	16 x 20
PG 21	MDP21	31	10	13	17	30	21 x 25
PG 29	MDP29	35	12	15	26	40	29 x 34
PG 36	MDP36	41	14	17	33,5	50	37 x 42
PG 42	MDP42	41	14	17	38,5	60	42 x 47
PG 48	MDP48	41	14	17	46	65	51 x 56

### CONDUIT GLANDS

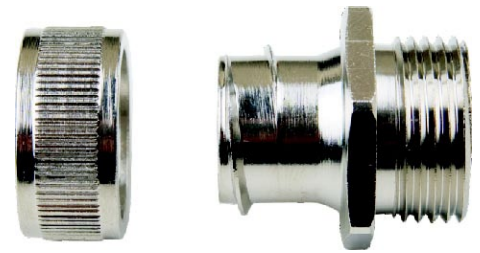
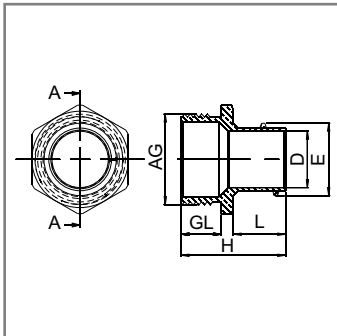
#### Fixed Body

flexible conduits & glands


Material  
Connection thread M  
Connection thread PG  
Protection class  
O-ring

Brass, nickel plated  
EN 60423  
EN 40430  
IP 54  
NBR


IP 54



### METAL CONDUIT GLANDS

AG Thread	Code	H mm	GL mm	L mm	D mm	 mm	E mm
M 12 x 1,5	MMR12	24	8	13	5,5	15	7 x 11,5
M 16 x 1,5	MMR16	24	8	13	7	20	9 x 12,5
M 16 x 1,5	MMR116	26	10	13	9	20	11 x 15
M 20 x 1,5	MMR20	26	10	13	12	22	14 x 18
M 20 x 1,5	MMR120	26	10	13	14	22	16 x 20
M 25 x 1,5	MMR25	27	10	13	17	28	21 x 25
M 32 x 1,5	MMR32	31	12	15	26	35	29 x 34
M 40 x 1,5	MMR40	36	14	17	33,5	45	37 x 42
M 50 x 1,5	MMR50	36	14	17	38,5	55	42 x 47
M 63 x 1,5	MMR63	36	14	17	46	65	51 x 56

### PG CONDUIT GLANDS

AG Thread	Code	H mm	GL mm	L mm	D mm	 mm	E mm
PG 7	MPR7	24	8	13	5,5	15	7 x 11,5
PG 9	MPR9	24	8	13	7	17	9 x 12,5
PG 11	MPR11	26	10	13	9	20	11 x 15
PG 13,5	MPR13,5	26	10	13	12	22	14 x 18
PG 16	MPR16	26	10	13	14	24	16 x 20
PG 21	MPR21	27	10	13	17	30	21 x 25
PG 29	MPR29	31	12	15	26	40	29 x 34
PG 36	MPR36	36	14	17	33,5	50	37 x 42
PG 42	MPR42	36	14	17	38,5	60	42 x 47
PG 48	MPR48	36	14	17	46	65	51 x 56

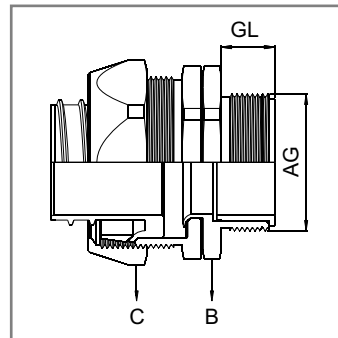
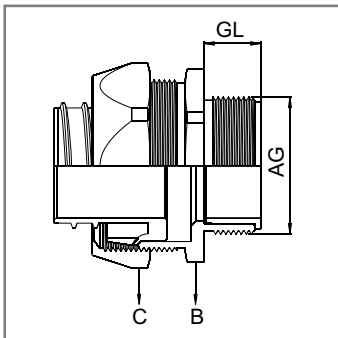
### CONDUIT GLANDS *Liquid tight fixed - Swivel*

flexible conduits & glands

Material  
Connection thread M  
Connection thread PG  
Protection class  
O-ring

Brass, nickel plated  
EN 60423  
EN 40430  
IP 67  
NBR

IP 67



#### FIXED CONDUIT GLANDS

Code		AG Thread		Spiral Measure	GL mm	B mm	C mm
PG	METRIC	PG	METRIC				
LSRP 01	LSRM 01	PG 11	M 16 x 1,5	13	11,5	24	26
LSRP 02	LSRM 02	PG 16	M 20 x 1,5	16	13	27	29
LSRP 03	LSRM 03	PG 21	M 25 x 1,5	21	15	33	35
LSRP 04	LSRM 04	PG 29	M 32 x 1,5	26	15	43	45
LSRP 05	LSRM 05	PG 36	M 40 x 1,5	35	16	52	54
LSRP 06	LSRM 06	PG 42	M 50 x 1,5	40	18	60	62
LSRP 07	LSRM 07	PG 48	M 63 x 1,5	50	20	74	77

#### SWIVEL CONDUIT GLANDS

Code		AG Thread		Spiral Measure	GL mm	B mm	C mm
PG	METRIC	PG	METRIC				
LSRDP 01	LSRDM 01	PG 11	M 16 x 1,5	13	11,5	24	26
LSRDP 02	LSRDM 02	PG 16	M 20 x 1,5	16	13	27	29
LSRDP 03	LSRDM 03	PG 21	M 25 x 1,5	21	15	33	35
LSRDP 04	LSRDM 04	PG 29	M 32 x 1,5	26	15	43	45
LSRDP 05	LSRDM 05	PG 36	M 40 x 1,5	35	16	52	54
LSRDP 06	LSRDM 06	PG 42	M 50 x 1,5	40	18	60	62
LSRDP 07	LSRDM 07	PG 48	M 63 x 1,5	50	20	74	77

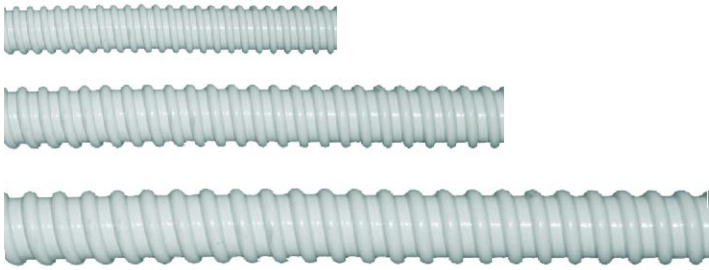
### FLEXIBLE CONDUITS

PVC

flexible conduits & glands

Material	PVC, rigid for spiral
Compression resistance	350 N
Insulation resistance	>100 Mohm
Protection class	IP 66
Color	RAL 7035 (L. Gray) RAL 9005 (Black)
Permanent operational temp.	- 15 C° to + 70 C°
Reference standards	EN 50086-1 (CEI 23 - 39) EN 50086 - 2 - 3 (CEI 23 - 56) IEC EN 61386 - 1 - 2 - 3

IP 66



### PVC SPIRAL CONDUITS

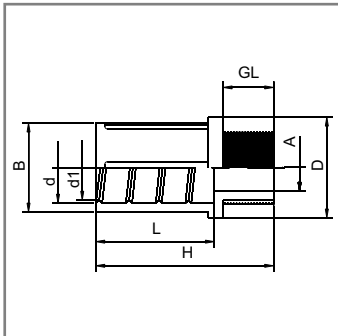
L. Gray Code	Black Code	Internal Diameter mm	External Diameter mm	Packing Quantity mt
GGX8	GBX8	8	12	30
GGX10	GBX10	10	14,5	30
GGX12	GBX12	12	16,3	30
GGX14	GBX14	14	18,6	30
GGX16	GBX16	16	20,5	30
GGX20	GBX20	20	24,7	30
GGX22	GBX22	22	27	30
GGX25	GBX25	25	30,3	30
GGX28	GBX28	28	33,2	30
GGX30	GBX30	30	36	30
GGX32	GBX32	32	37,5	30
GGX35	GBX35	35	40,5	30
GGX38	GBX38	38	44,1	30
GGX40	GBX40	40	46,2	30
GGX45	GBX45	45	51,8	30
GGX50	GBX50	50	57	30

### CONDUIT GLANDS for PVC Spiral Conduits

flexible conduits & glands

Material Polyamide  
 Colour RAL 7001 (Gray)  
 RAL 7035 (L. Gray)  
 RAL 9005 (Black)  
 Protection class IP 40  
 Permanent operational temp. - 40 C° to + 100 C°  
 Short term max. operational temp. +150 C°

IP 40  
 Halogen free



■ RAL 7001    ■ RAL 7035    ■ RAL 9005

### METRIC CONDUIT GLANDS

AG Thread	Gray Code ■ RAL 7001	L. Gray Code ■ RAL 7035	Black Code ■ RAL 9005	A mm	B mm	D mm	GL mm	H mm	L mm	d mm	d1 mm
M 12 x 1,5	MHG 01	MHL 01	MHB 01	7	16	17,5	8	29	20	13,3	11,6
M 16 x 1,5	MHG 02	MHL 02	MHB 02	10	19	20	8	29	20	15,8	13,6
M 16 x 1,5	MHG 03	MHL 03	MHB 03	11	22,5	24	8	32	23	20	17,7
M 20 x 1,5	MHG 04	MHL 04	MHB 04	13	24,5	26	9	34	24	21,8	18,8
M 20 x 1,5	MHG 05	MHL 05	MHB 05	15	26	27,5	10	35	24	23,5	20,7
M 25 x 1,5	MHG 06	MHL 06	MHB 06	19	32	33,5	11	38	25,5	29,2	26,5
M 32 x 1,5	MHG 07	MHL 07	MHB 07	24	41	42	11	43	30,5	38	34,7
M 40 x 1,5	MHG 08	MHL 08	MHB 08	31,5	41	42	11	43	30,5	38	34,7
M 50 x 1,5	MHG 09	MHL 09	MHB 09	40,8	51,8	53	14	54	33	47,6	42,9
M 63 x 1,5	MHG 10	MHL 10	MHB 10	50	62	64	14	57	37	57,7	53,3

### SPECIAL METRIC CONDUIT GLANDS

M 20 x 1,5	MHG 11	MHL 11	MHB 11	14,5	22,5	24	8	32	23	20	17,7
M 25 x 1,5	MHG 12	MHL 12	MHB 12	17,5	26	27,5	10	35	24	23,5	20,7
M 32 x 1,5	MHG 13	MHL 13	MHB 13	26,7	32	33,5	11	38	25,5	29,2	26,5

### PG CONDUIT GLANDS

AG Thread	Gray Code ■ RAL 7001	L. Gray Code ■ RAL 7035	Black Code ■ RAL 9005	A mm	B mm	D mm	GL mm	H mm	L mm	d mm	d1 mm
PG 7	OHG 01	OHL 01	OHB 01	7	16	17,5	8	29	20	13,3	11,6
PG 9	OHG 02	OHL 02	OHB 02	10	19	20	8	29	20	15,8	13,6
PG 11	OHG 03	OHL 03	OHB 03	13,5	22,5	24	8	32	23	20	17,7
PG 13,5	OHG 04	OHL 04	OHB 04	14	24,5	26	9	34	24	21,8	18,8
PG 16	OHG 05	OHL 05	OHB 05	16	26	27,5	10	35	24	23,5	20,7
PG 21	OHG 06	OHL 06	OHB 06	19	32	33,5	11	38	25,5	29,2	26,5
PG 29	OHG 07	OHL 07	OHB 07	26	41	42	11	43	30,5	38	34,7
PG 36	OHG 08	OHL 08	OHB 08	40,8	51,8	53	14	54	33	47,6	42,9
PG 48	OHG 09	OHL 09	OHB 09	51	62	64	14	57	37	57,7	53,3